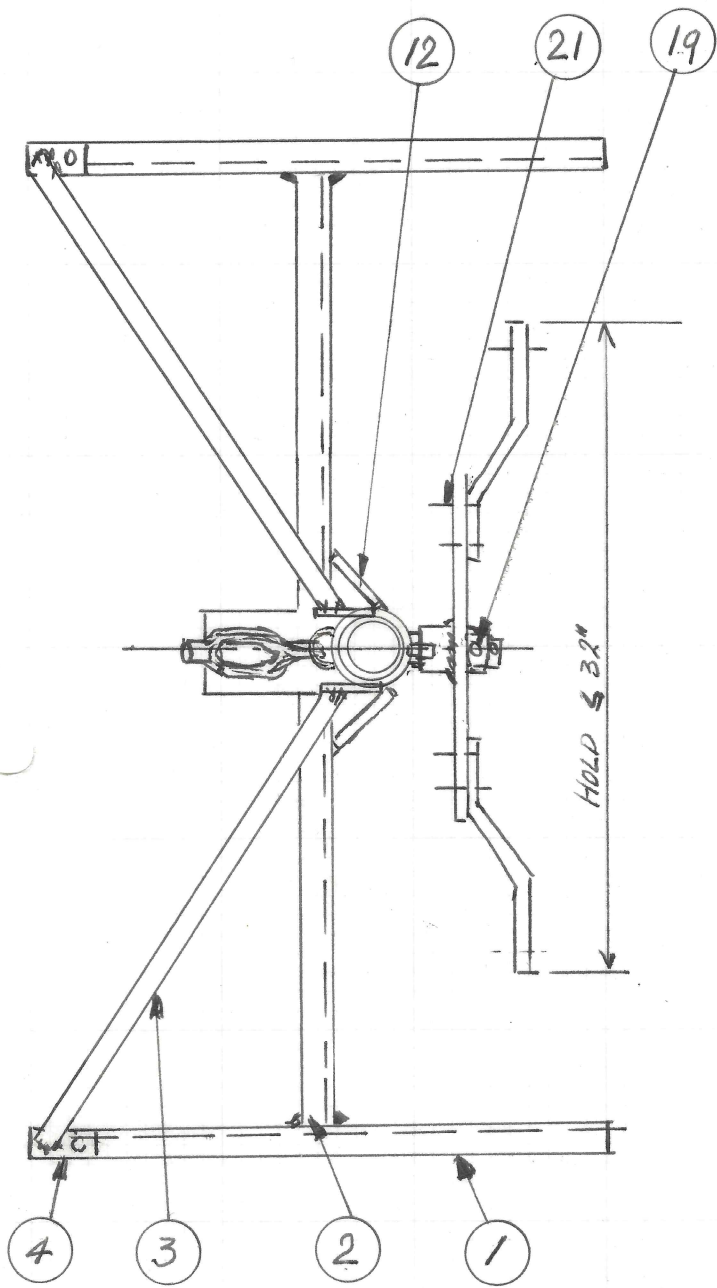
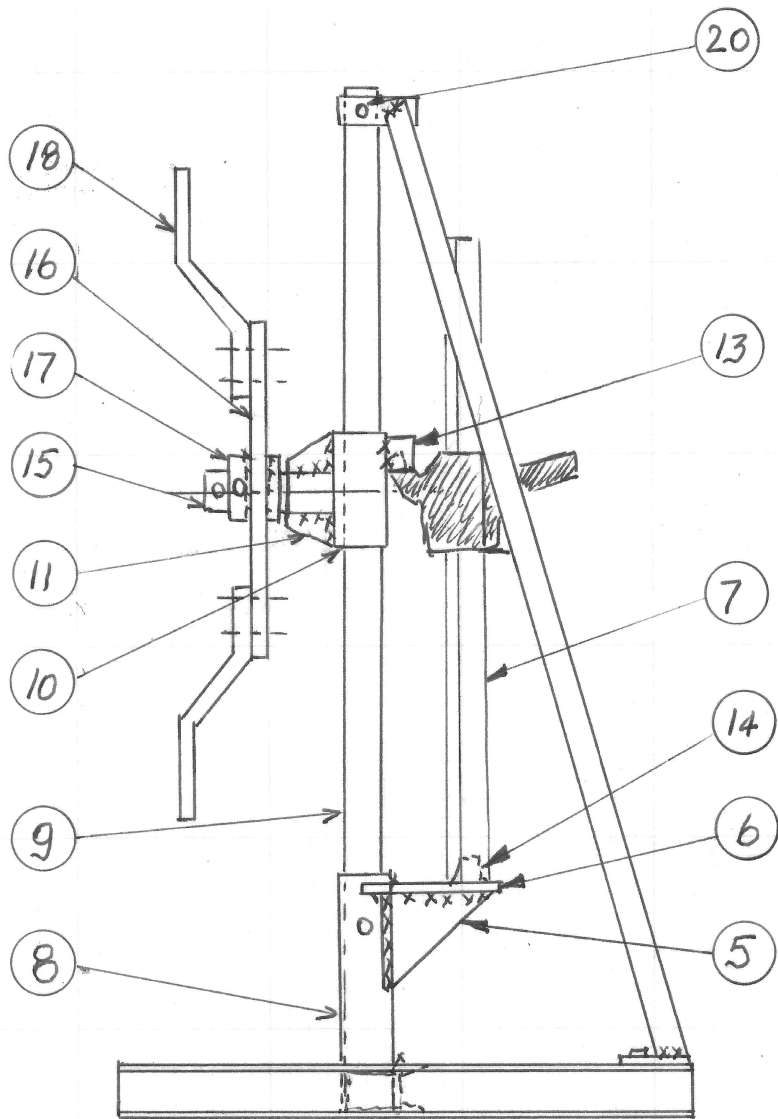


SUPPORT BRACE.



TOP VIEW

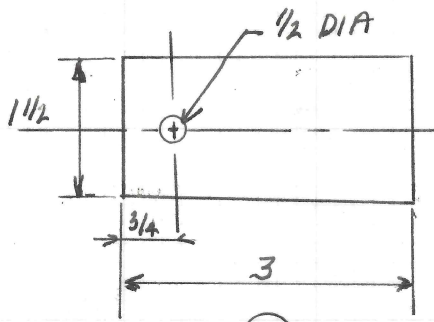
(SUPPORT ARM 90° ROTATED!)



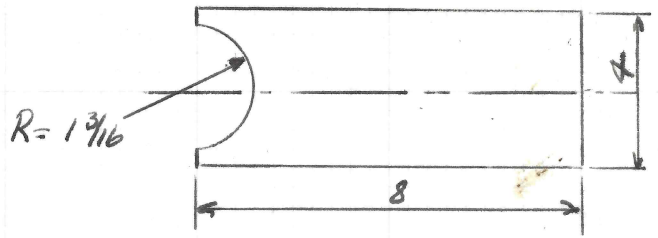
SIDE VIEW

ROTISSERY
FOR SUNBEAM ALPINE/TIGER

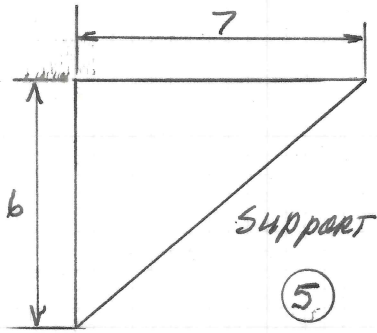
SCALE 1" = 12"
4/91 R.J.J.



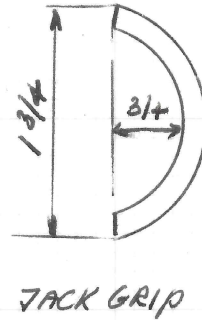
④ MTG. PLATE



⑥ JACK BASE

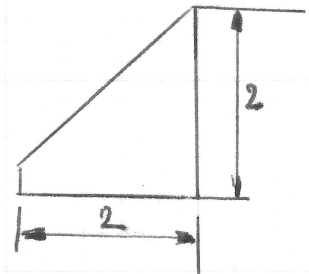


⑤

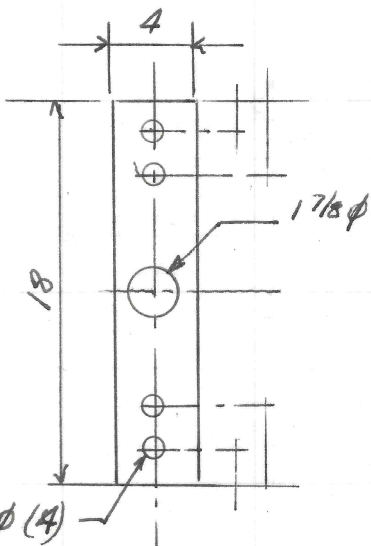


JACK GRIP

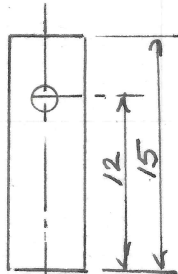
⑬



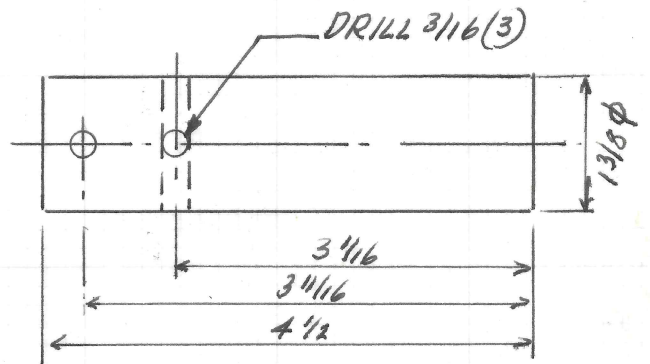
⑪ BRACE



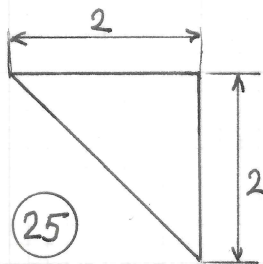
⑬ CAR SUPPORT



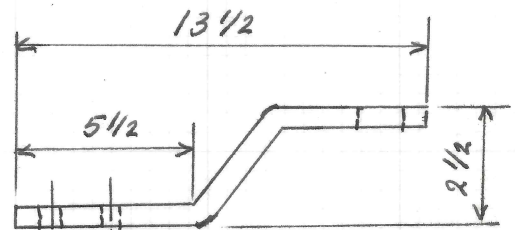
⑧ PIPE



⑮ PIVOT SHAFT



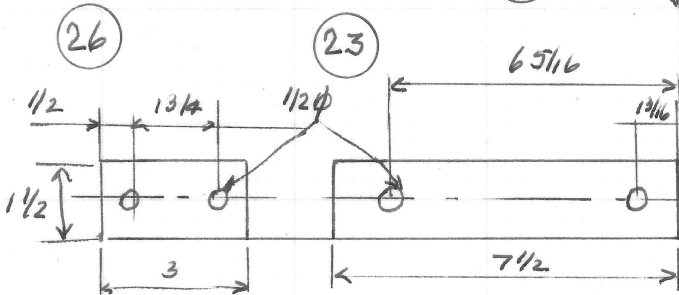
⑮



⑮ CAR SUPPORT END

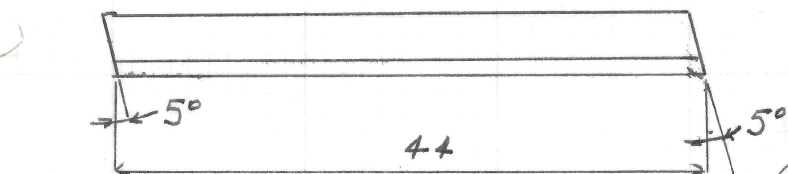
DETAILS (NOT TO SCALE)

ROTISSERY 4/91 R. J. J.



⑮

⑮



⑮