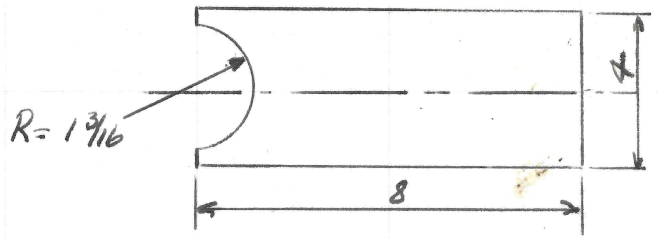
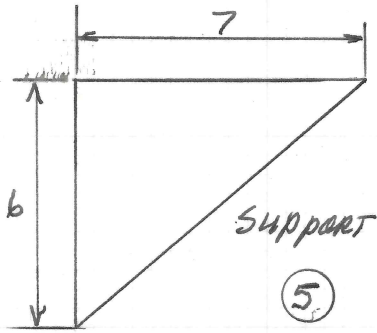


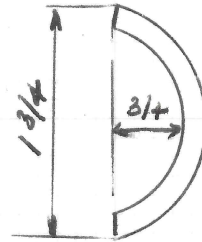
④ MOUNTING PLATE



⑥ JACK BASE

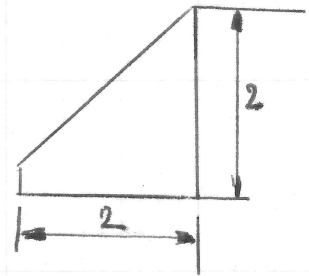


⑤ SUPPORT

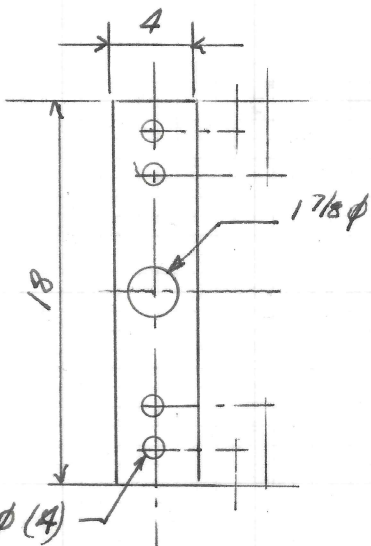


JACK GRIP

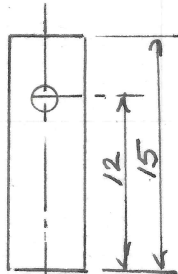
⑬



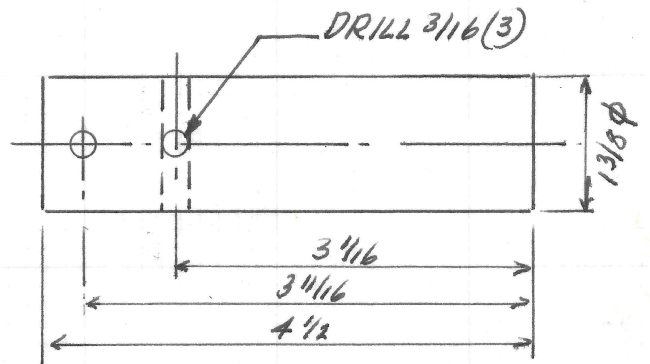
⑪ BRACE



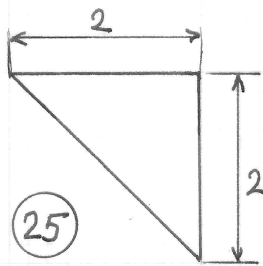
⑬ CAR SUPPORT



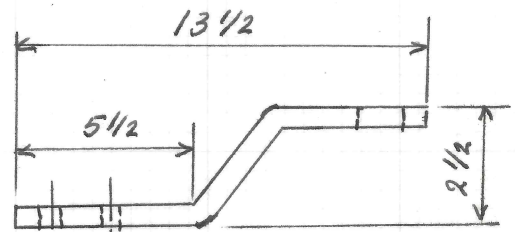
⑧ PIPE



⑮ PIVOT SHAFT



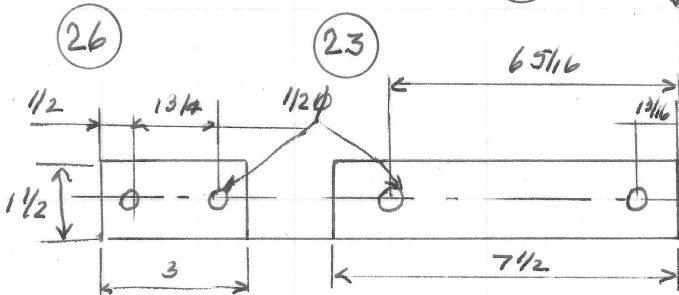
⑲



⑱ CAR SUPPORT END

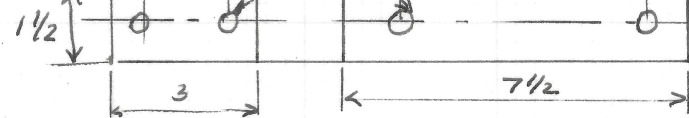
DETAILS (NOT TO SCALE)

ROTISSERY 4/91 R. J. J.

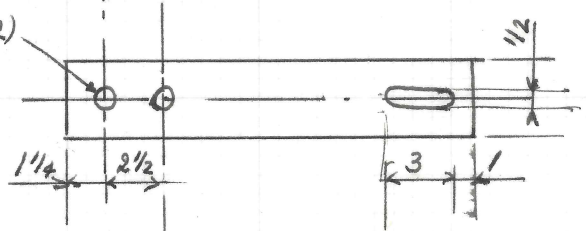


⑳

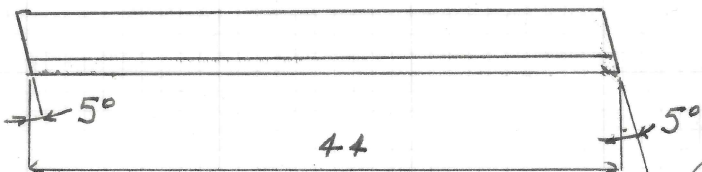
㉓



㉒



⑱ CAR SUPPORT END



㉔