

SUSPENSION AND  
DAMPERS.

PAGE 1 OF 2

No. H-2

SEPT. 1965

TO: ALL ROOTES GROUP DEALERS  
MODEL: SUNBEAM TIGER, (260),  
SUBJECT: PANHARD ROD BRACKET FAILURE

In order to minimise the possibility of Panhard Rod Bracket failure on the above model, all cars prior to Chassis Number B.9473544 should be checked at the next Service call to ensure that the correct washer, Part Number 9067044, is fitted at the chassis frame end of the Panhard Rod as shown on the attached illustration.

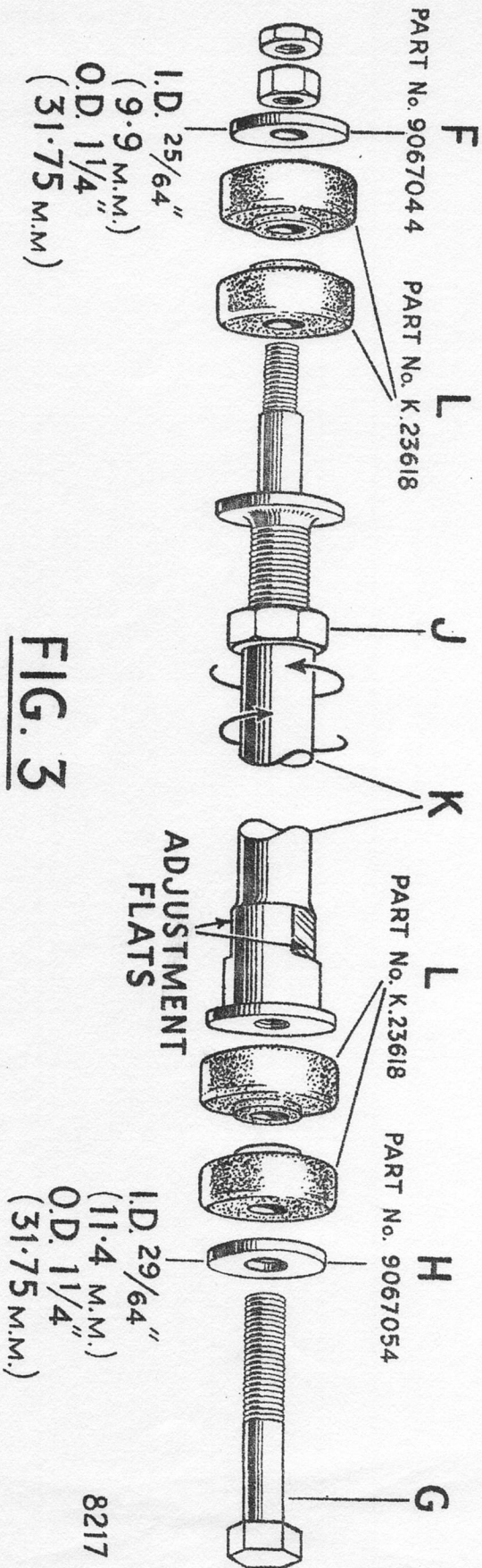
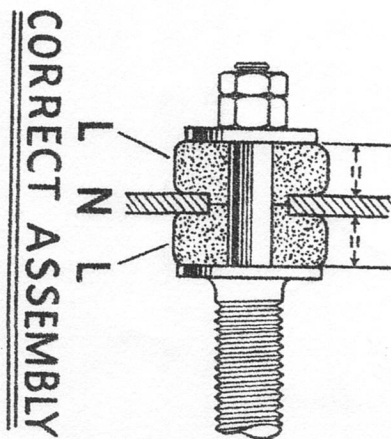
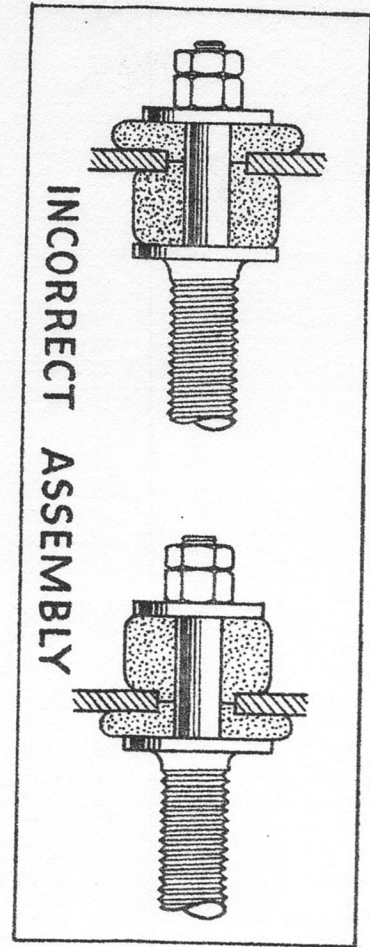
Both locknuts 'M' should be removed together with the plain washer 'F'. The internal diameter of this washer 'F' should be 25/64" (2.9 mm.); if greater, the washer must be replaced with Part Number 9067044, and the old washer discarded.

The new washer should be fitted, both locknuts retightened and the Panhard Rod adjusted as follows:-

1. Load vehicle with 165 lbs. (75 kgs.) in the boot, 20" (50 cms.) rearwards on the centre line of the rear axle.
2. Slacken locknut 'J' and adjust Panhard Rod tube 'K' by turning it clockwise or anti-clockwise until the rubber bushes 'L' mounted on either side of the Panhard Rod bracket 'N' are of equal thickness, i.e., when there is no tension or compression in the rod, as shown.
3. Tighten Panhard rod locknut 'J' and remove weights from vehicle.

ROOTES/MOTORS INCORPORATED

*K. Langridge*  
Kenneth Langridge  
General Service Manager



**FIG. 3**